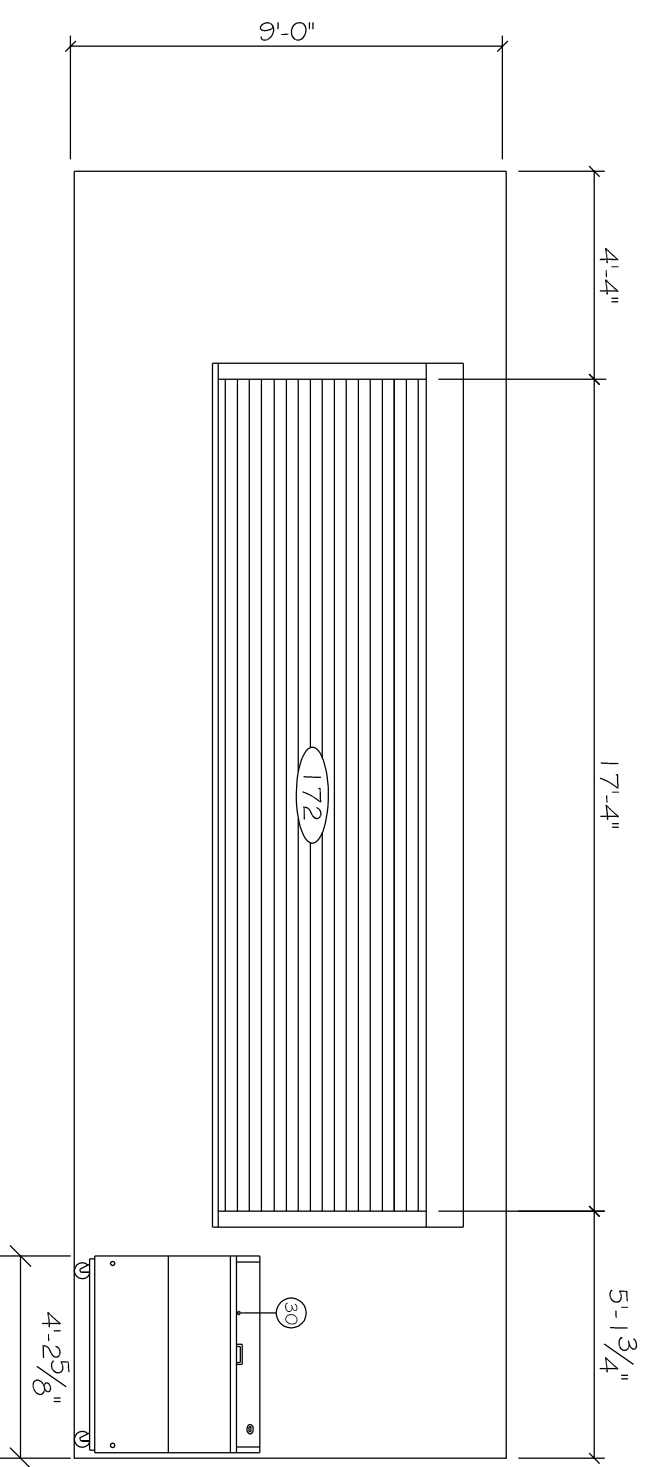
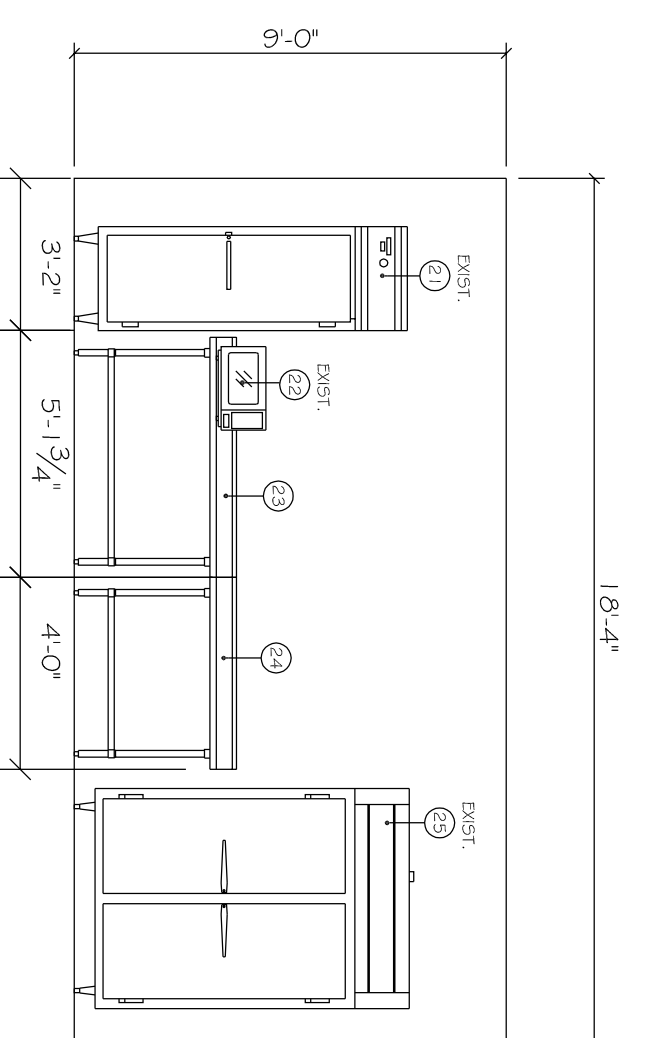


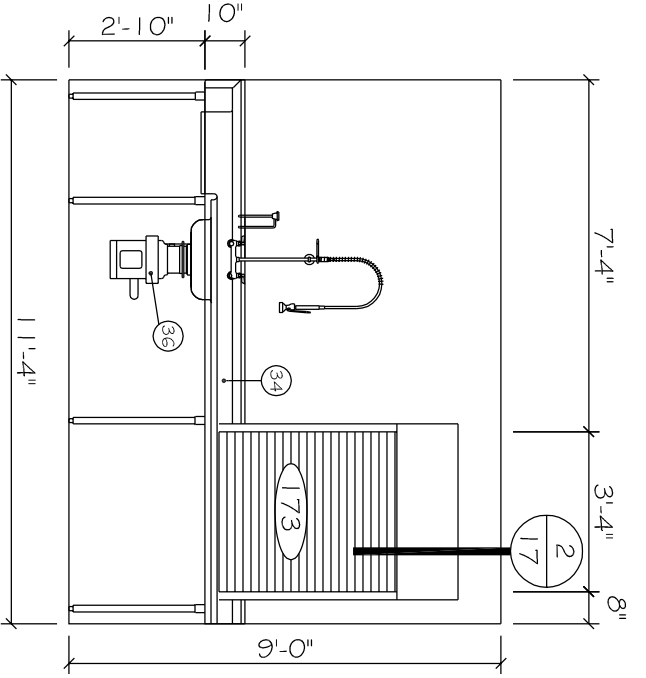
#172 - SERVING LINE
SCALE: 1/4" = 1'-0"



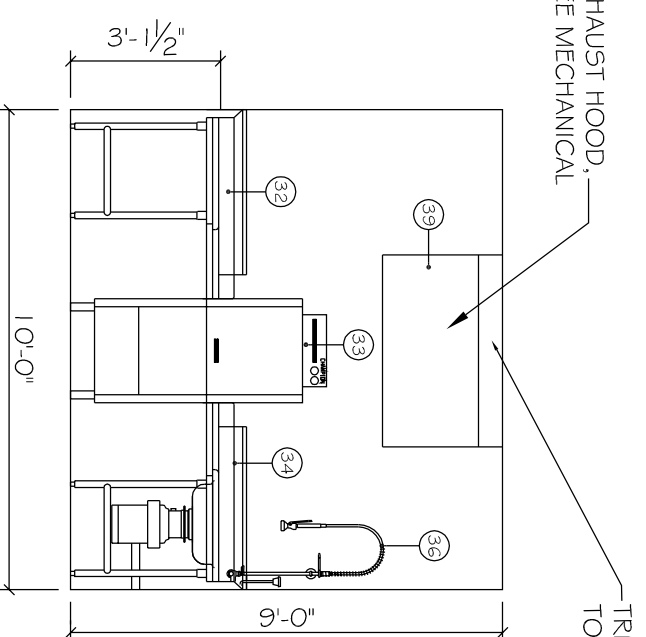
#172 - SERVING LINE
SCALE: 1/4" = 1'-0"



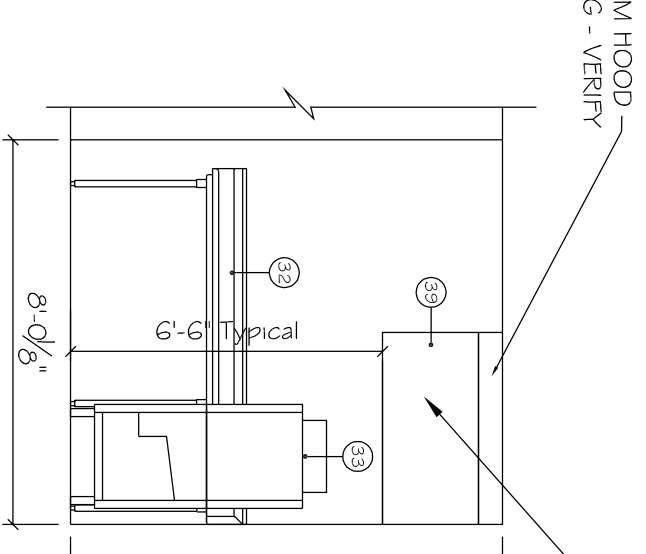
#172 - SERVING
SCALE: 1/4" = 1'-0"



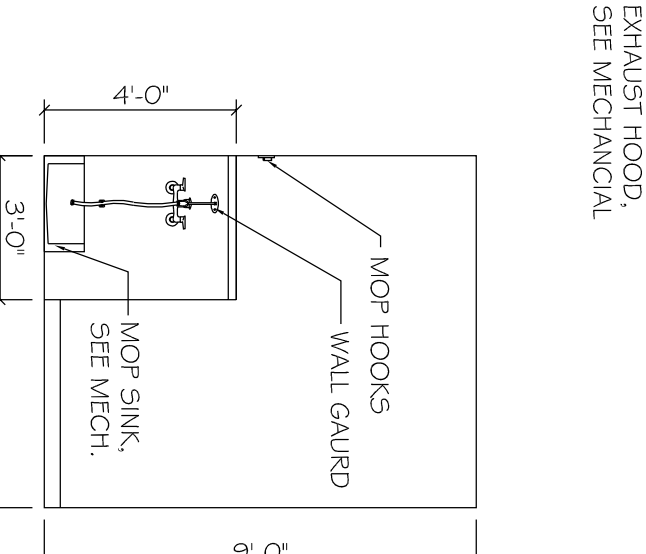
#173 - DISHWASHING
SCALE: 1/4" = 1'-0"



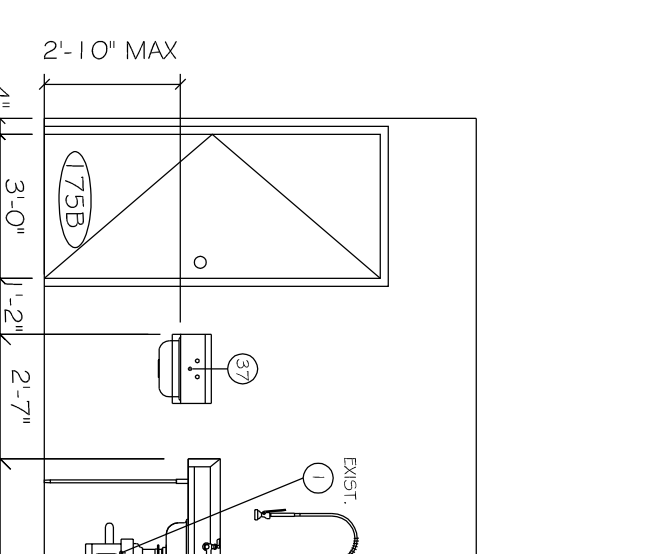
#173 - DISHWASHING
SCALE: 1/4" = 1'-0"



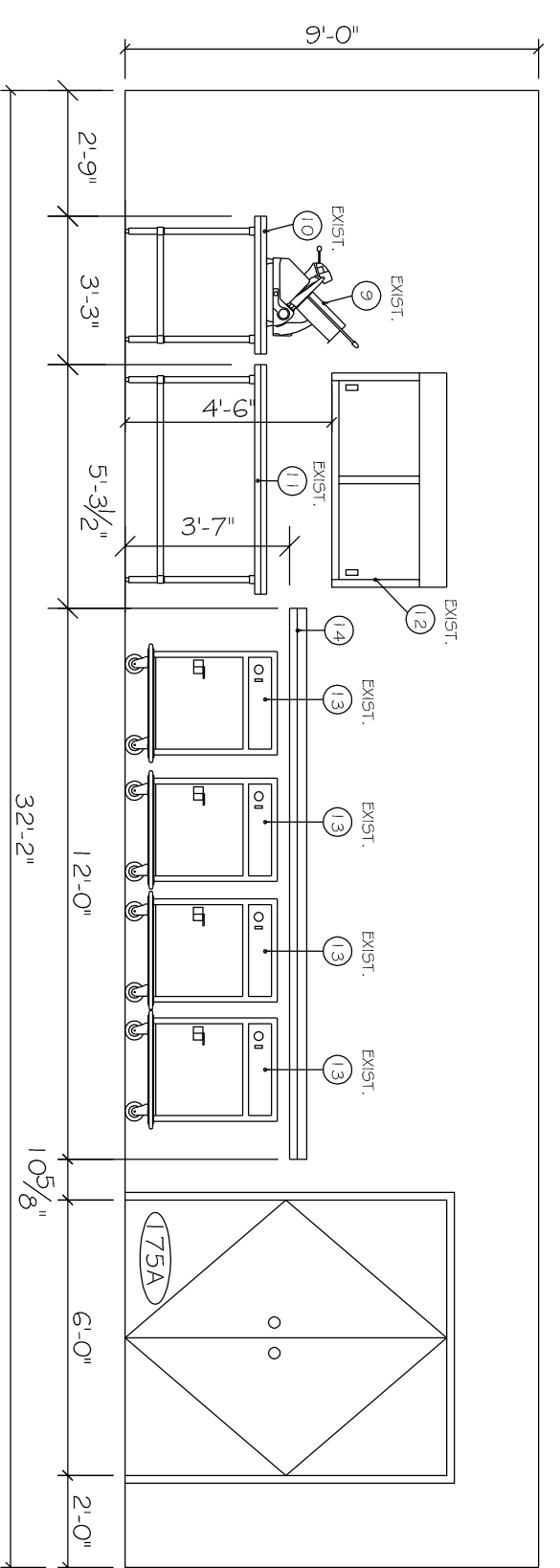
#173 - DISHWASHING
SCALE: 1/4" = 1'-0"



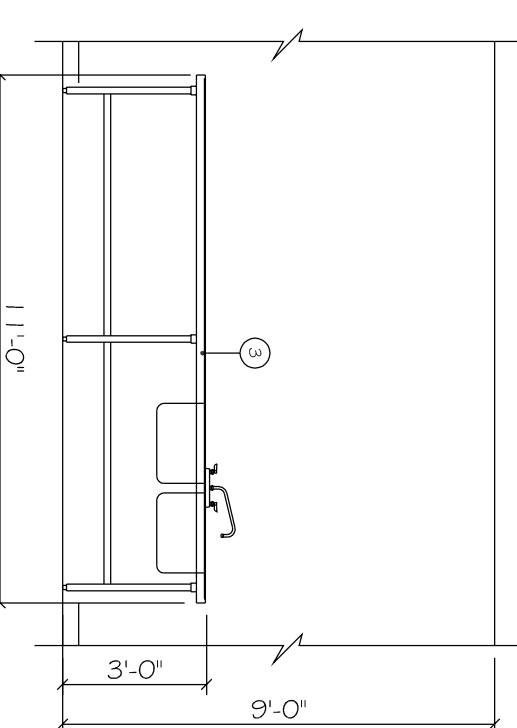
#178 - JANITOR
SCALE: 1/4" = 1'-0"



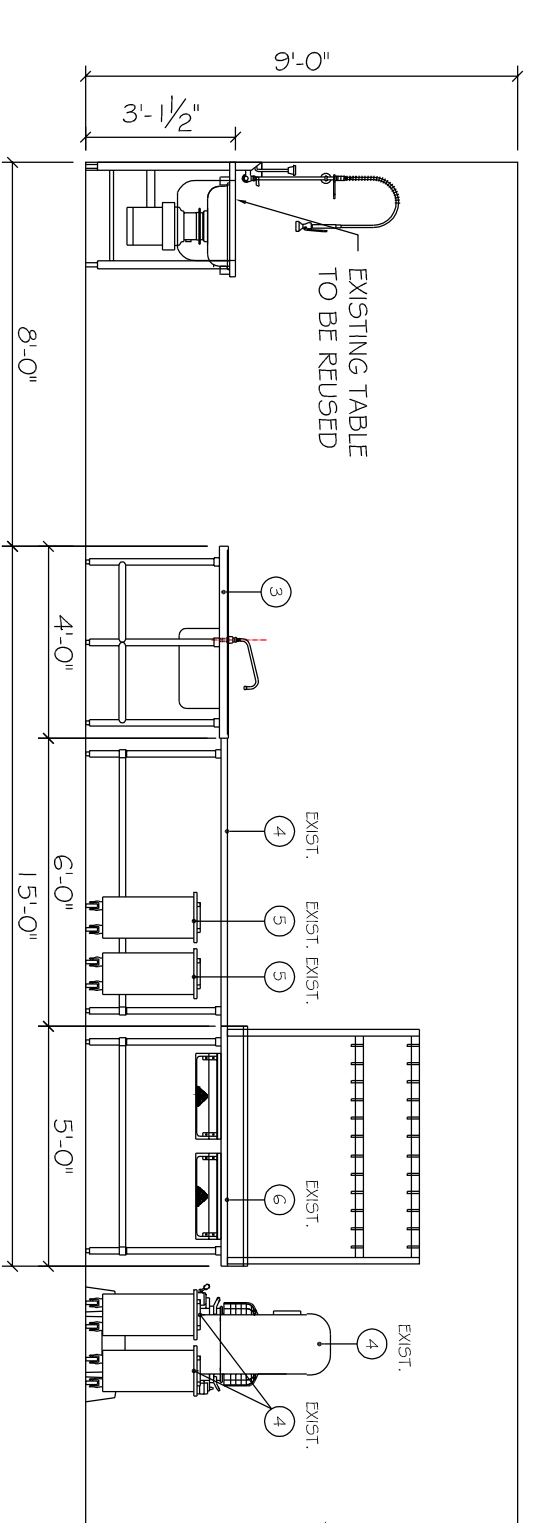
#175 - 3 COMPARTMENT SINK
SCALE: 1/4" = 1'-0"



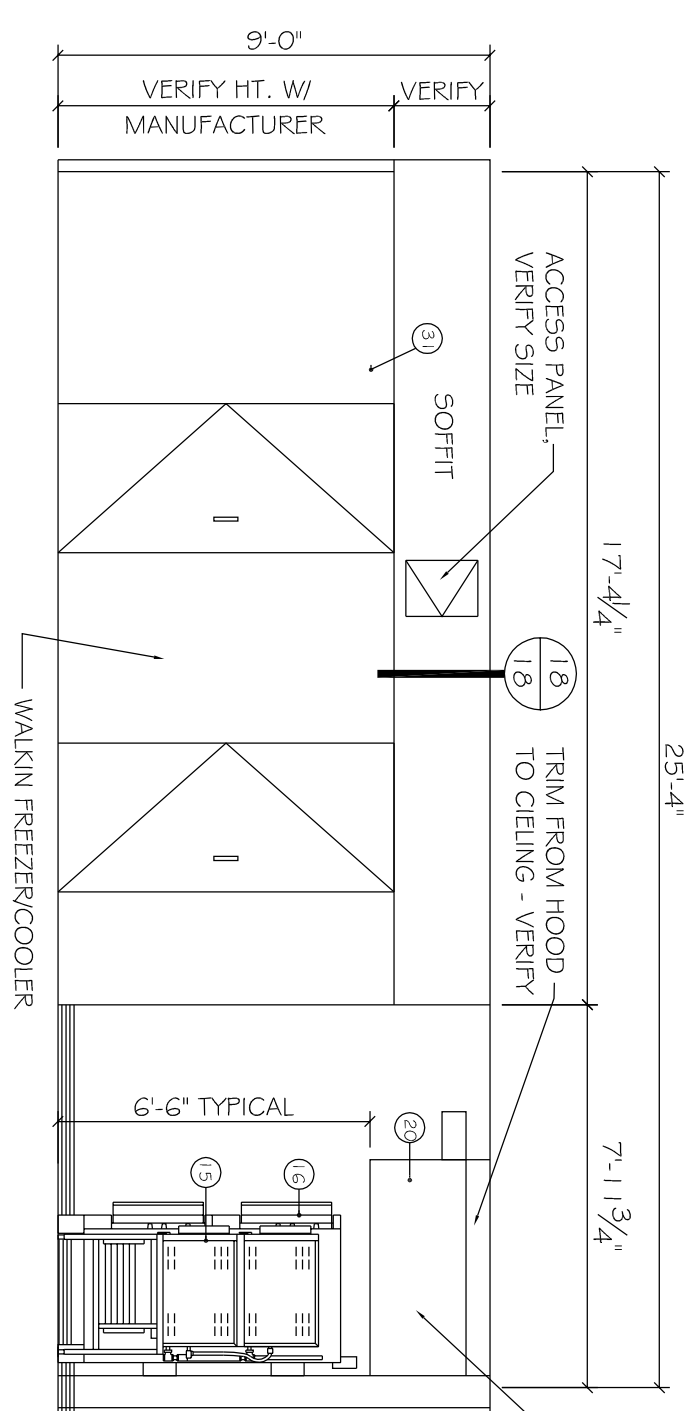
#175 - PREP AREA / WARMING CABINETS
SCALE: 1/4" = 1'-0"



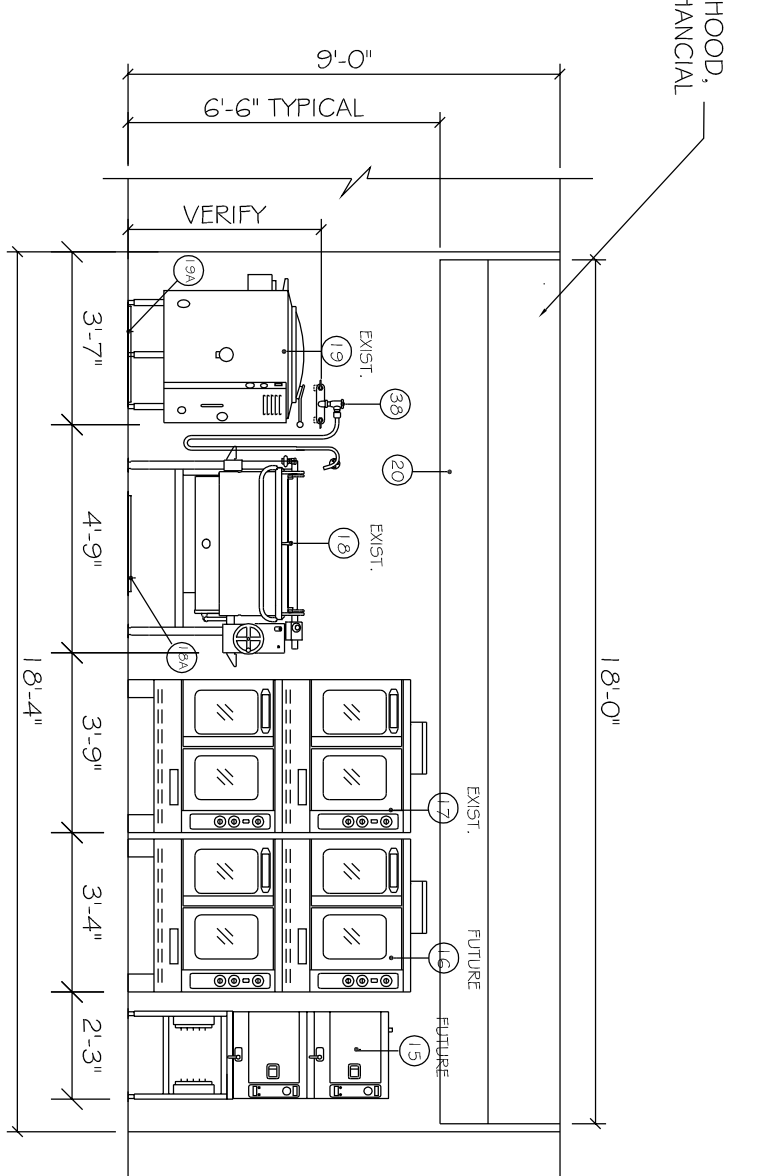
#175 - VEGETABLE PREP.
SCALE: 1/4" = 1'-0"



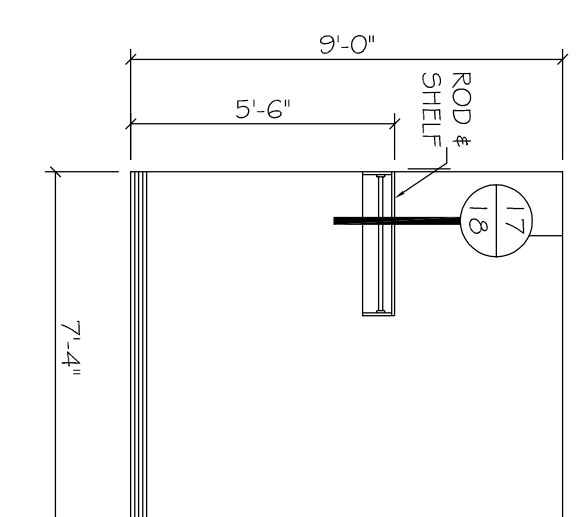
#175 - PREP AREA
SCALE: 1/4" = 1'-0"



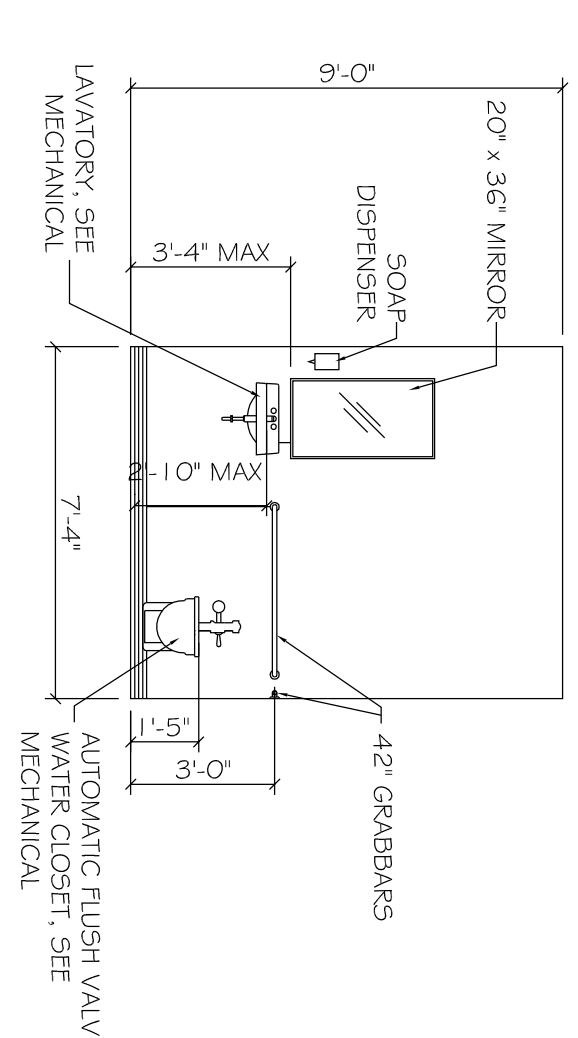
#169#170 - FREEZER/COOLER
SCALE: 1/4" = 1'-0"



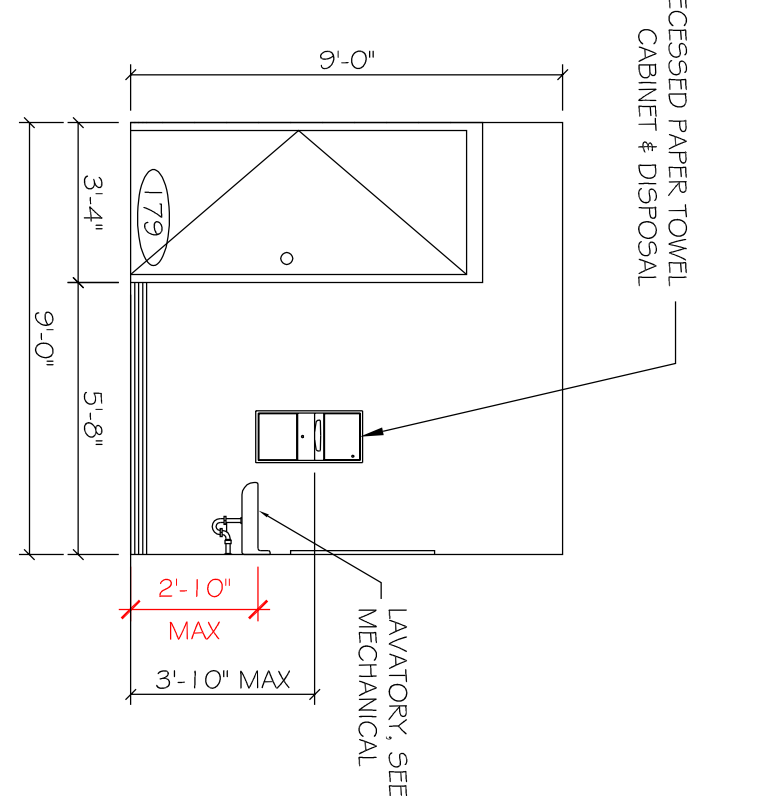
#171 - COOK LINE
SCALE: 1/4" = 1'-0"



#179 - TOILET
SCALE: 1/4" = 1'-0"



#179 - TOILET
SCALE: 1/4" = 1'-0"



#179 - TOILET
SCALE: 1/4" = 1'-0"

Revisions	Date	Date

Drawn By: BLE
Scale: Not To Scale

SAMPLE SCHOOL B
Elevations

This drawing & design is sole property of HRS Foodservice. Any reproduction or misuse without the consent of HRS Foodservice is prohibited. Violators will be prosecuted. This drawing is not to be used for construction purposes.

