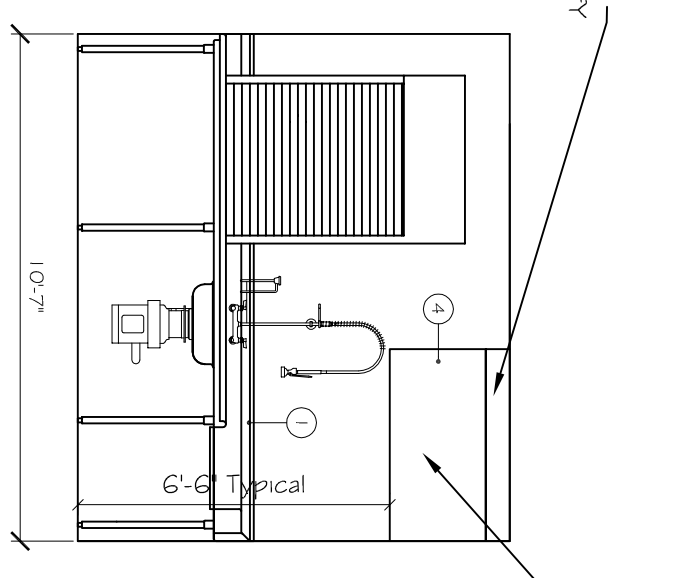
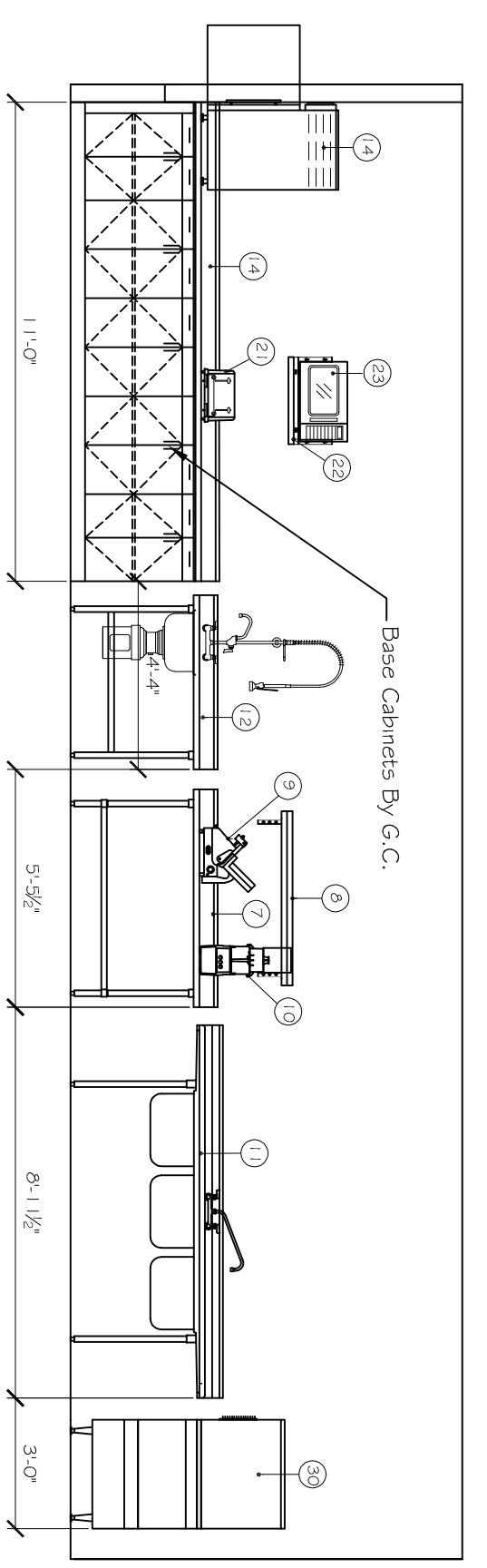


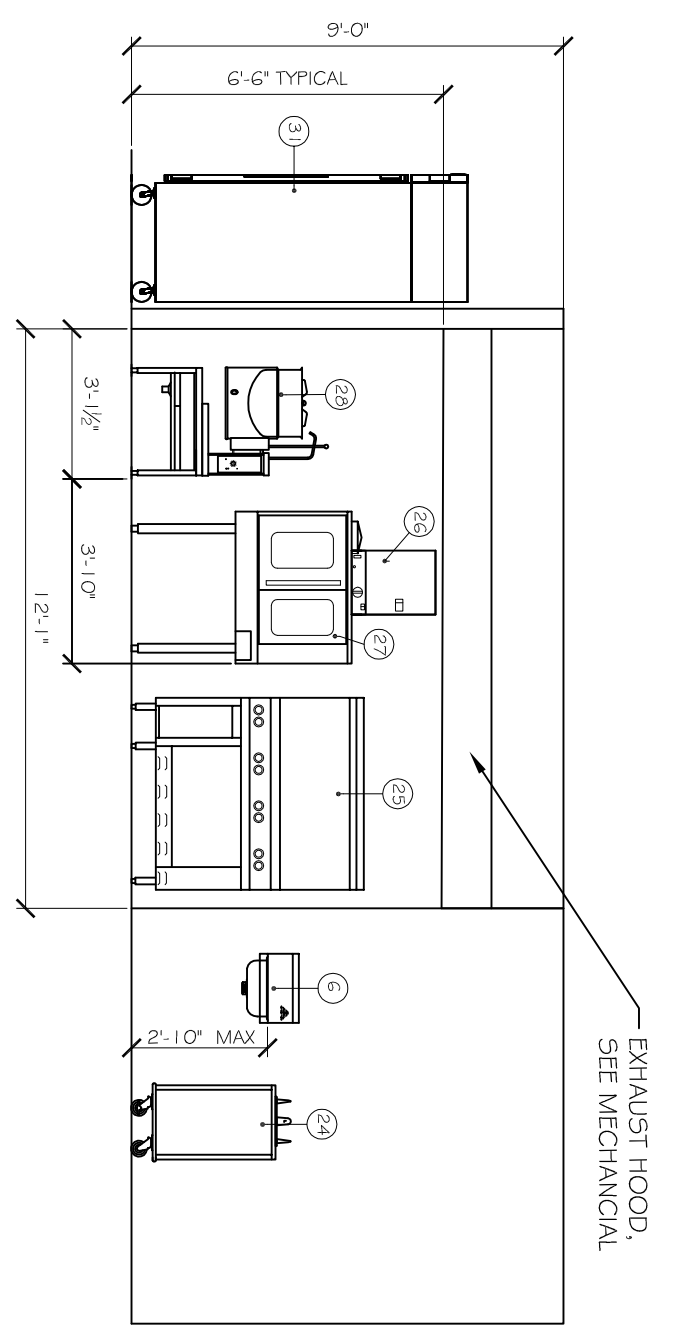
- DISHWASHING
SCALE: 1/4" = 1'-0"



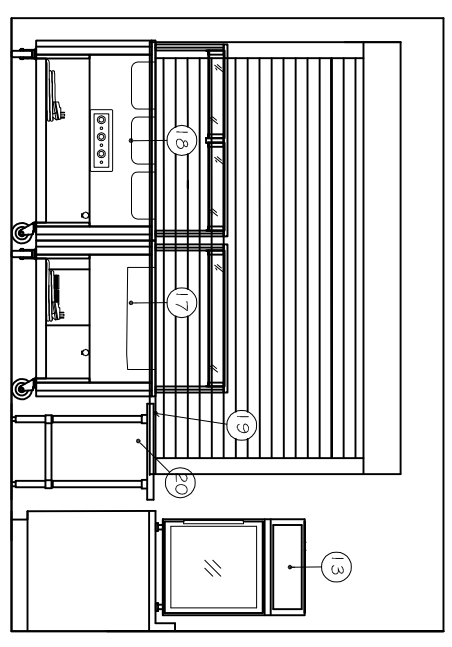
- DISHWASHING
SCALE: 1/4" = 1'-0"



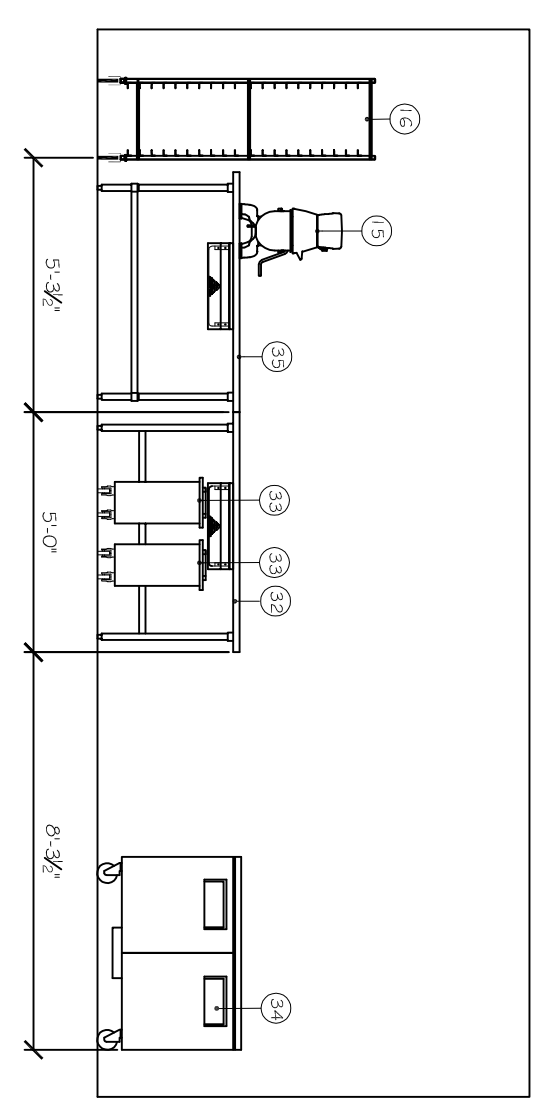
- PREP AREA
SCALE: 1/4" = 1'-0"



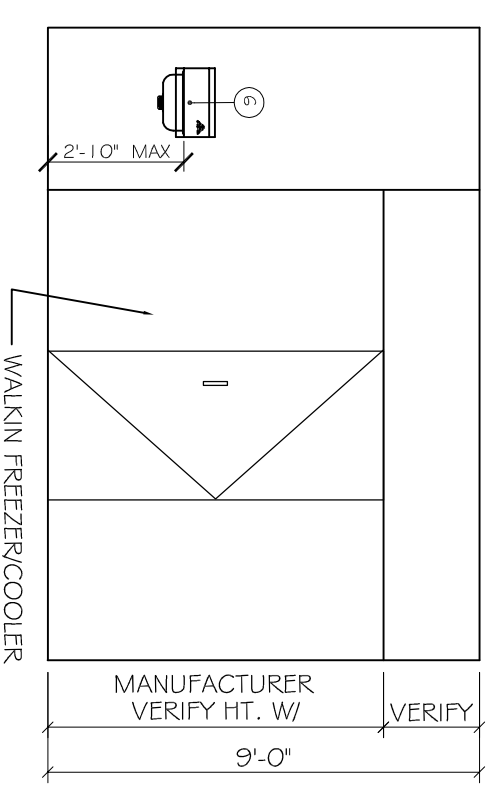
- COOK LINE
SCALE: 1/4" = 1'-0"



- SERVING LINE
SCALE: 1/4" = 1'-0"



- PREP AREA
SCALE: 1/4" = 1'-0"



- FREEZER/COOLER
SCALE: 1/4" = 1'-0"



This drawing & design is sole property of HRS Foodservice. Any reproduction or misuse without the consent of HRS Foodservice is prohibited. Violators will be prosecuted. This drawing is not to be used for construction purposes.

SAMPLE HOSPITAL A
Elevations

Date	Drawn By: BLE
Scale: Not To Scale	

Revisions	Date