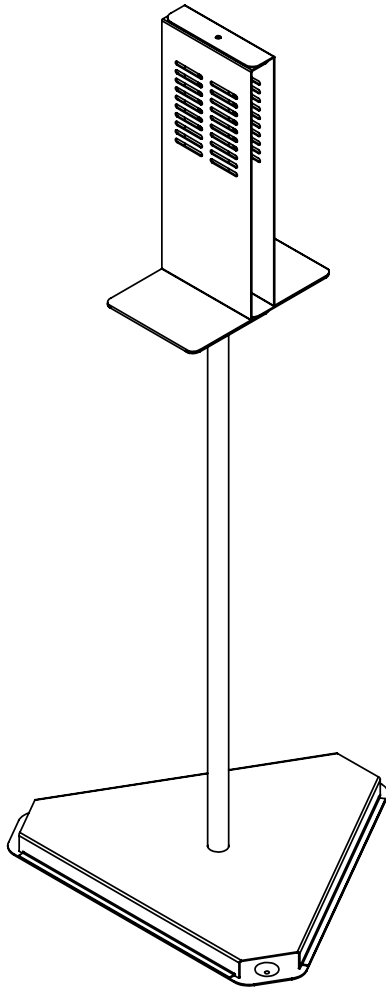


# Hand Sanitizer Pole Station

**to place an order call or email:**  
**308-237-3151 ext. 7241 or 7135**  
**equipment@cashwa.com**

**\$125<sup>00</sup>**  
each  
plus shipping

**Dual Service Unit**



**\$107<sup>00</sup>**  
each  
plus shipping

**Single Service Unit**

